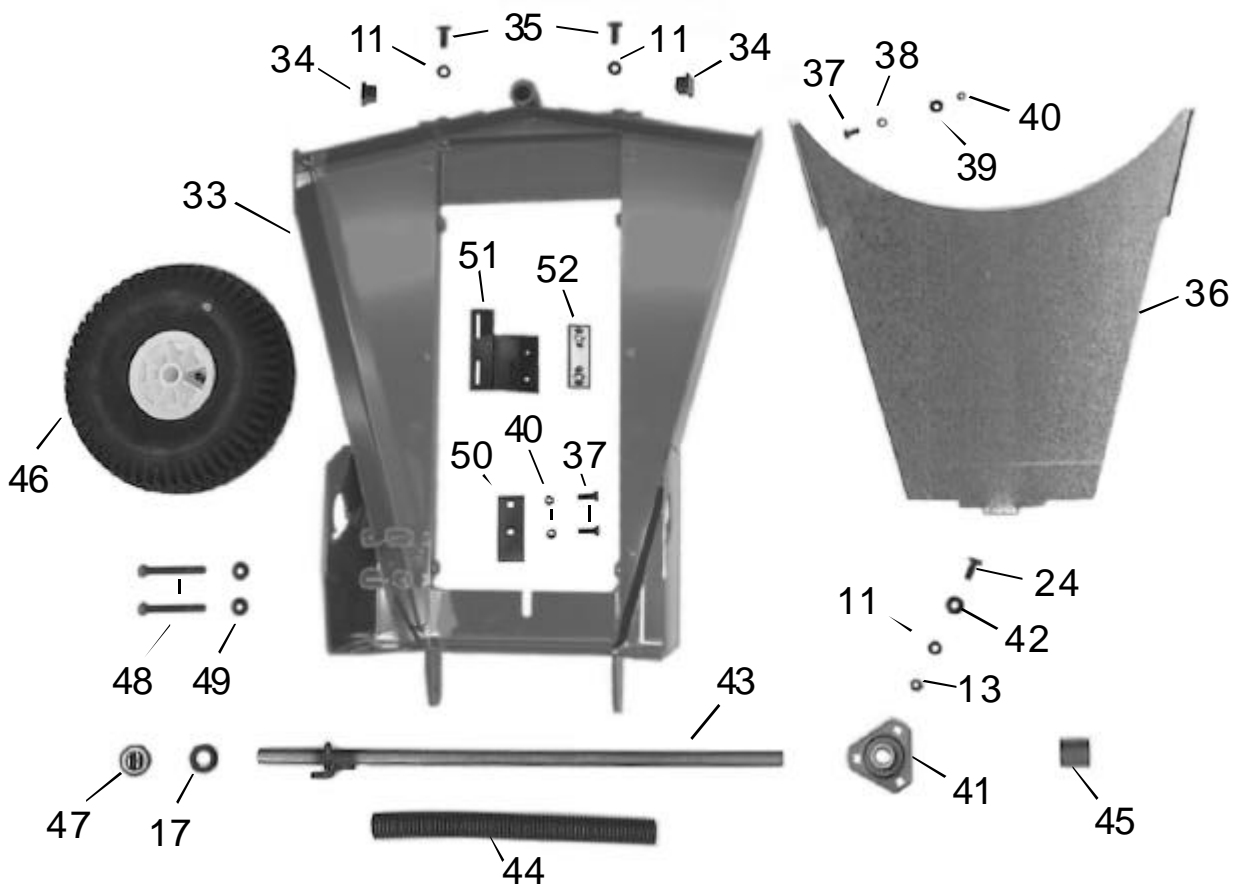
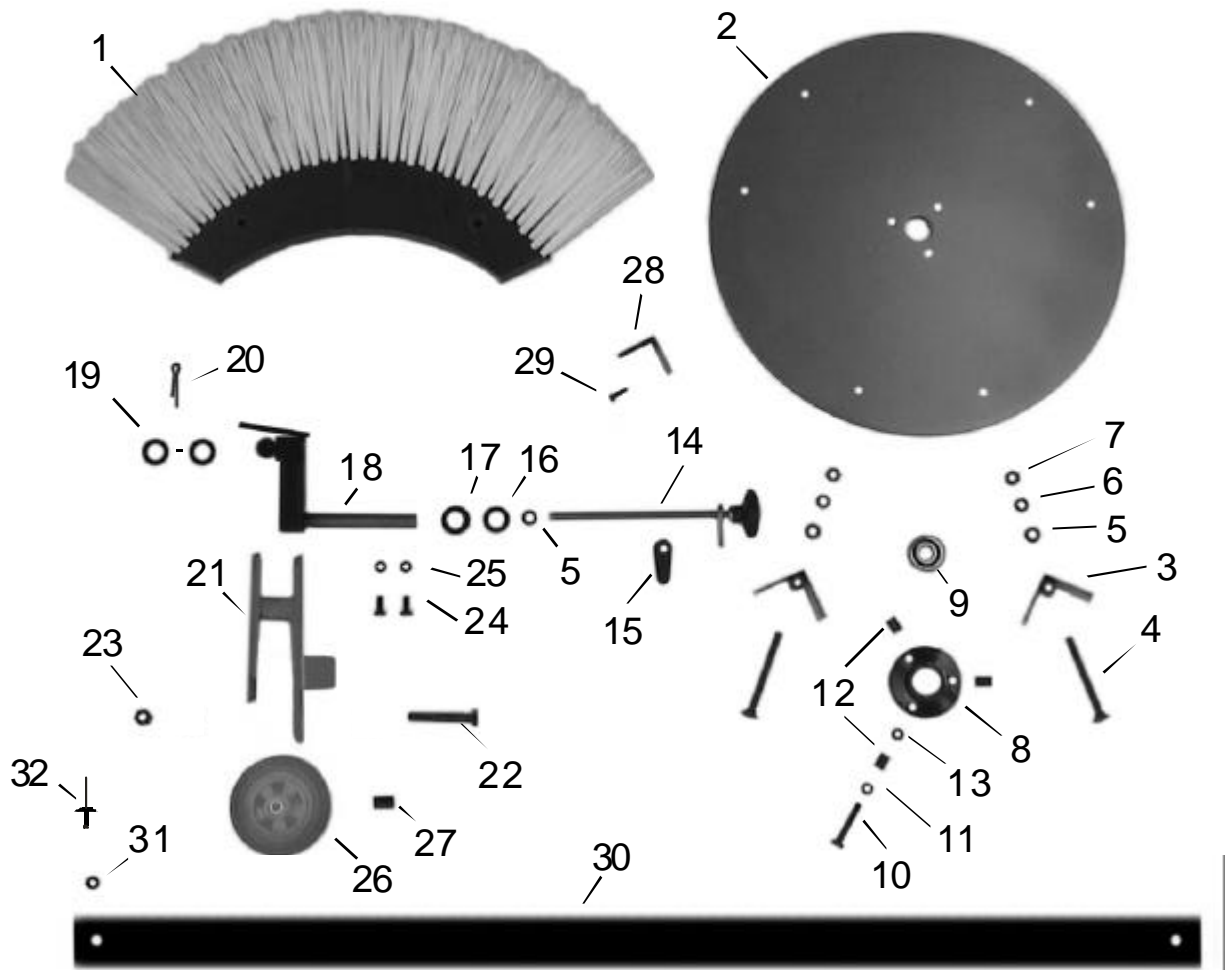


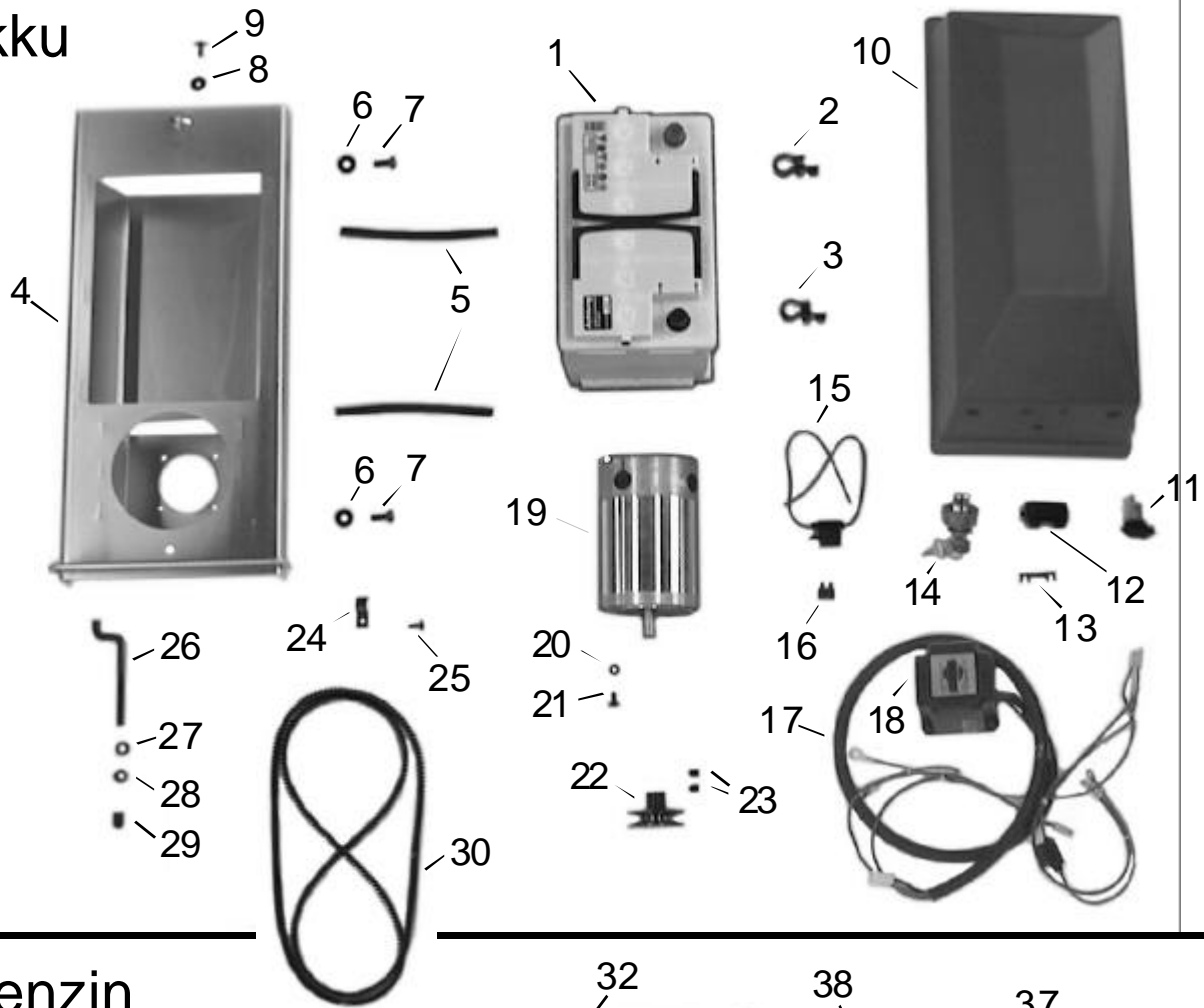


Spare Parts - Sweeper
Radial 1950

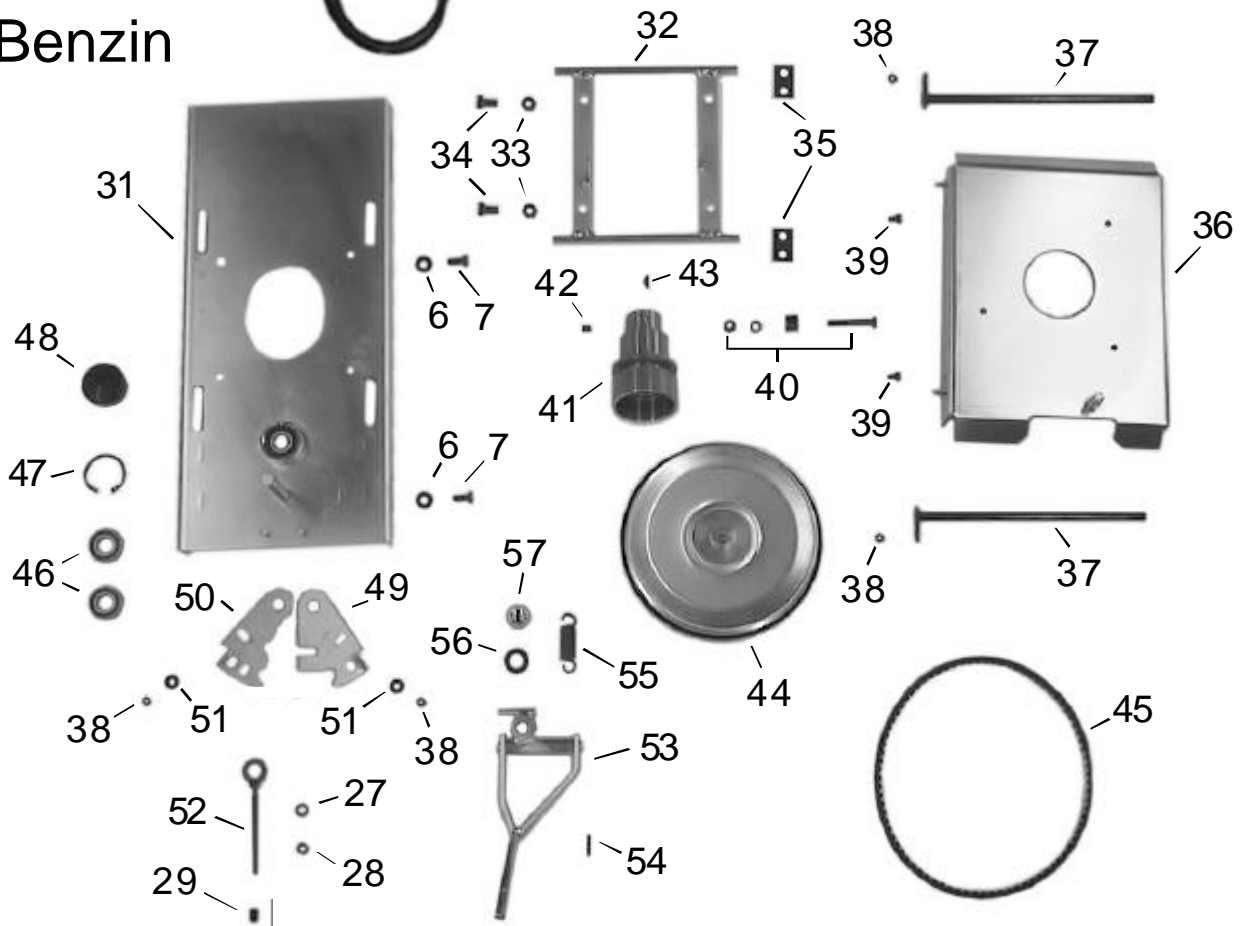


Pos.	Article-No.	Description	Pos.	Article-No.	Description
1	4HM-R04	Brush (3 elements)	37	4HO-A08Z1	Screw M6x16
2	4KK-A10	Plate	38	4HW-A06 Z1	Washer dia. 6mm
3	FKH-121Z	Distance angle	39	4HW-B06 Z1	Washer dia. 6mm
4	4HO-I70Z1	Screw M10x110	40	4HR-C06Z1	Stop nut M6
5	4HW-A10Z1	Washer dia. 10,5mm	41	4HA-Y20	Y-bearing 20
6	4HW-F10 Z1	Spring washer M10	42	4HW-D08Z1	Washer dia. 8mm
7	4HR-A10Z1	Nut M10	43	FKH-108	Drive axle
8	4AZ-303 Z	Flange with bearing 20	44	4KC-B27	Axle protection
9	4HA-A20	Bearing (60042RS)	45	4DJ-E05 Z	Distance piece
10	4HO-C18 Z1	Screw M8x40	46	4HN-G02	Wheel 4.00-4
11	4HW-A08Z1	Washer dia. 8,3mm	47	4KC-A39	Cap 20
12	4DM-A02	Shell			
13	4HR-C08 Z1	Stop nut M8			
14	FKH-213	Supporting wheel spindle			
15	4DA-I01Z	Lock			
16	4HW-C20Z1	Washer dia. 21 mm			
17	4HW-A20Z1	Washer dia. 21 mm			
18	FKH-125	Wheel guide			
19	4HW-A17Z1	Washer dia. 17 mm			
20	4HZ-E25Z1	Splint pin			
21	FKH-126Z	Wheel suspension			
22	4HO-C69Z	Screw M12x80			
23	4HR-C12 Z1	Stop nutM12			
24	4HO-A14Z1	Screw M8x20			
25	4HR-A08Z1	Nut M8			
26	4HN-G05	Wheel dia. 125mm			
27	4DM-X01	Shell			
28	4KC-A60	Angle 40			
29	4KC-A61Z1	Wood screw V2A (10 St.)			
30	4KK-A12	PVC ring			
31	4HW-B05Z1	Washer dia. 5mm			
32	4HY-B04S1	Rivet (Al 4,8x17)			
33	FKH-129	Housing RT			
34	4HJ-B05 1	Square plug			
35	4HO-A13Z1	Screw M8x16			
36	4DA-C41Z	Metal sheet			

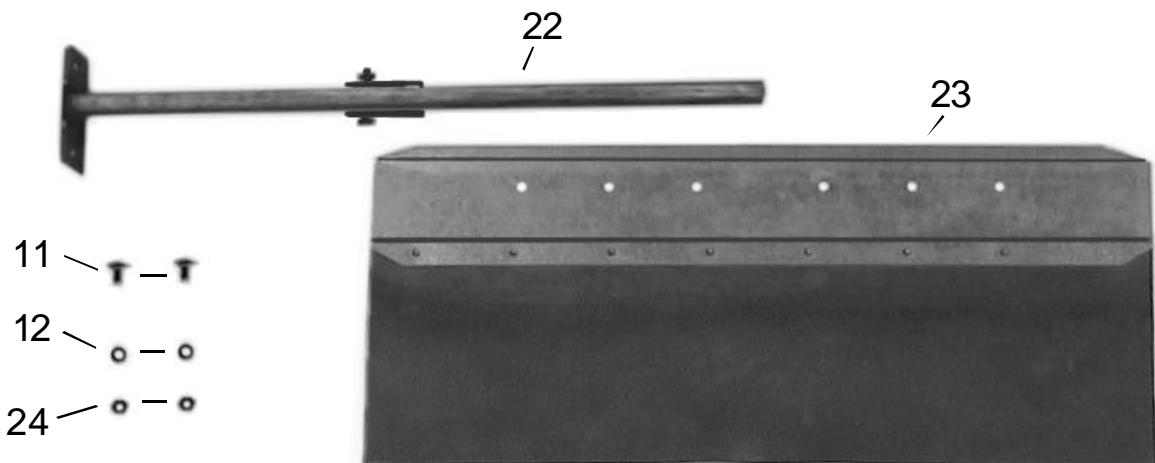
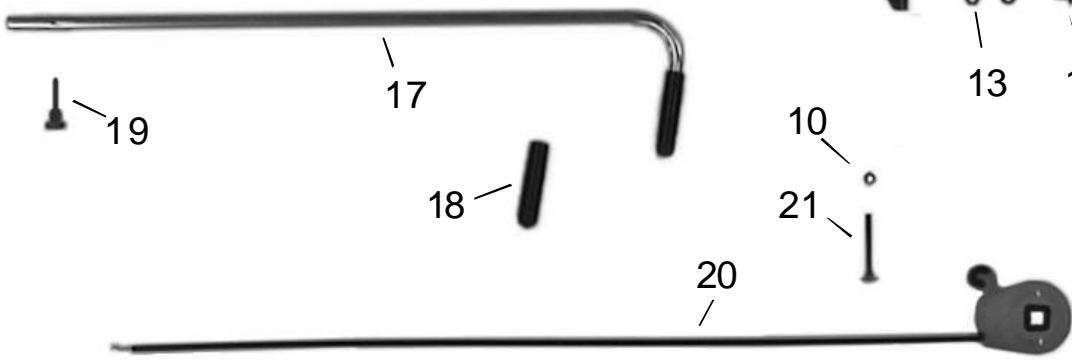
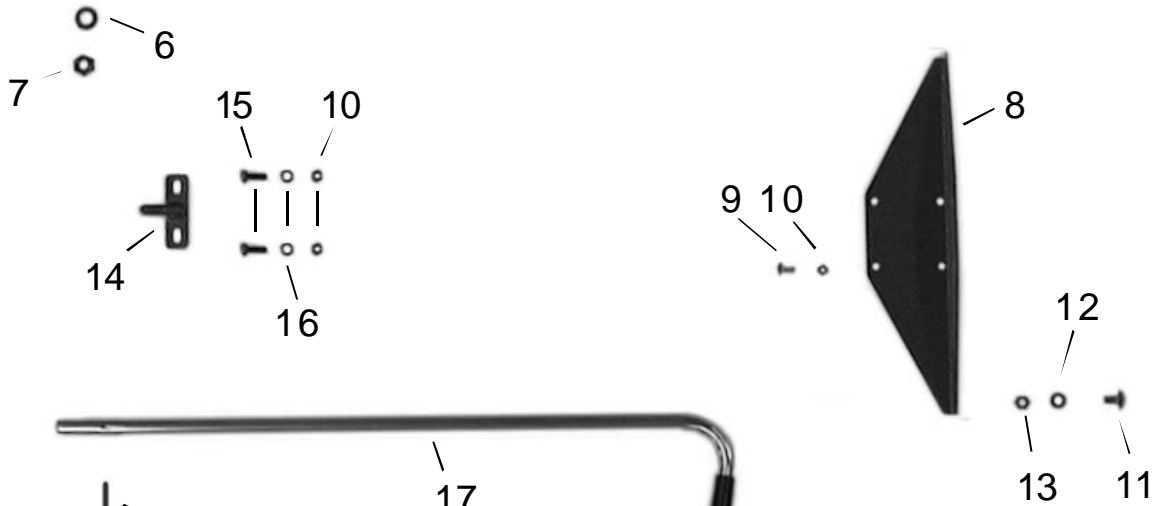
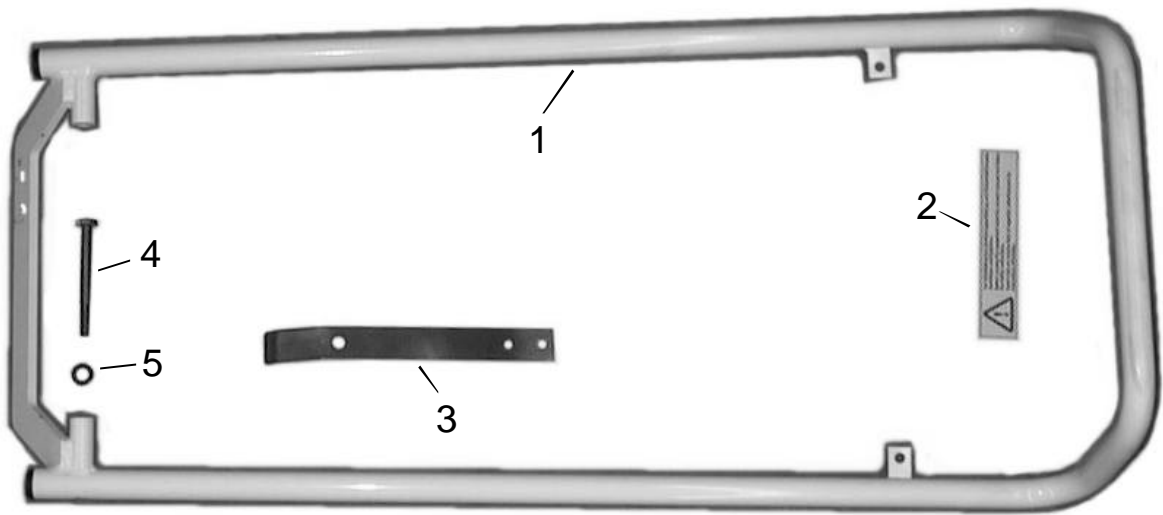
Akku



Benzin



Pos.	Artikel-Nr.	Bezeichnung	Pos.	Artikel-Nr.	Bezeichnung
1	4KO-B02	Special battery 12V	37	FKH-110Z	Axle journal
2	4KO-S11	Clamp +	38	4HR-C06Z1	Stop nut M6
3	4KO-S12	Clamp -	39	4HJ-B01 1	Buffer
4	FKH-106Z	Motor bracket ER	40	4AZ-S22	Screw set for engine
5	4HK-P01	PVC edge protection	41	4AZ-A29 Z	Pulley RB
6	4HW-D08Z1	Washer dia. 8,4mm	42	4KC-A041	Threaded pin M8x10
7	4HO-A14 Z1	Screw M8x20	43	4KH-S01	Plate spring
8	4HK-E011	Rubber washer	44	FKH-209	3-k frictional wheel
9	4HO-S47Z1	Screw M8x15	45	4HB-X06S	Belt (all petrol engine models)
10	4HJ-X14	Hoode ER	46	4HA-A20	Ball bearing (60042RS)
11	4KO-S03	Socket	47	4HU-I42	Locking ring 42
12	4KO-A05	Fuse holder 50 A	48	4HJ-G06	Cap 50
13	4KO-A04	Fuse 50 A	49	4DA-F36Z	Adjusting plate,right
14	4KO-S01	Key switch	50	4DA-F35Z	Adjusting plate,left
15	4KO-A01	Hanging fuse	51	4HW-B06 Z1	Washer dia. 6,5mm
16	4KO-A03	Fuse 10A	52	FKH-111 Z	Fixing screw
17	4KO-G04	Cable harness (inkl.Pos.18)	53	FKH-116Z	Shifting linkage
18	4KO-S09	Switch left / right	54	4HX-F20 1	Clamping sleeve 5x20
19	FKH-221	Electric motor	55	4HI-A01Z	Spring
20	4HW-F06 Z1	Spring washer M6	56	4HW-A16 Z1	Washer dia. 17mm
21	4HO-A07 Z1	Screw M6x12	57	4KC-A41	Cap 16
22	4AZ-Z01 Z	Pulley ZR			
23	4KC-A381	Threaded pin ZA M6x12			
24	4KC-A401	Cable strap 15			
25	4KC-A211	Screw			
26	4DC-D10Z	Tension rod			
27	4HW-A08Z1	Washer dia. 8,4mm			
28	4HR-C08Z1	Stop nut M8			
29	4HJ-G07	Cap 8			
30	4HB-Z14S	Belt for brush			
31	FKH-107 Z	Motor bracket RB			
32	FKH-109 Z	Frame			
33	4HR-C08Z1	Stop nut M8			
34	4HO-A24Z1	screw M10x25			
35	4HJ-E02	Lock (PVC)			
36	FKH-114Z	Engine plate RB			



Pos.	Artikel-Nr.	Bezeichnung	Pos.	Artikel-Nr.	Bezeichnung
1	FKH-128	Handle bar (petrol)			
1	FKH-127	Handle bar (electric)			
2	4KD-E02	Label			
3	4HI-C01	Spring bolt			
4	4HO-C78Z	Screw M10x90			
5	4HW-B10Z1	Washer dia. 10,5mm			
6	4HW-A10Z1	Washer dia. 10,5mm			
7	4HR-C10 Z1	Stop nut M10			
8	4DA-C40	Blende (Elektro)			
9	4HO-S44Z1	Screw M6x15			
10	4HR-C06 Z1	Stop nut M6			
11	4HO-S47Z1	Screw M8x15			
12	4HW-A08 Z1	Washer dia. 8,3mm			
13	4HR-C08 Z1	Stop nut M8			
14	FKH-131Z	Bolt RT			
15	4HO-A09Z	Screw M6x20			
16	4HW-B06Z1	Washer dia. 6,5mm			
17	FKH-212	Swing pipe RB			
18	4HJ-G02	Cap 15			
19	4AZ-111	Pin 5/30			
20	4AZ-601	Throttle control/Honda engine			
20	4AZ-606	Throttle control/B&S engine			
21	4HO-I60Z1	Screw M6x55			
22	FKH-287	Swath board rod			
23	FKH-286	Swath board			
24	4HR-A08Z1	Nut M8			

Address:

Tuchel Maschinenbau GmbH
Holsterfeld 15
48499 Salzbergen
Tel. +49 - (0) 5971 / 96 75 - 0 Internet: www.tuchel.com
Fax.+49 - (0) 5971 / 96 75 - 30 E-Mail: info@tuchel.com

Type plate:

For identification of the model you will find a type plate at the side of the machine housing:

○ Modell / TYP	<input type="text"/>	 TUCHEL MASCHINENBAU GmbH Holsterfeld 15 • 48499 Salzbergen Tel. (0 59 71)96 75-0 • Fax 96 75-30 Internet: http://www.tuchel.com E-Mail: info@tuchel.com 
Serien-Nr.	<input type="text"/>	
Baujahr / Auftrags-Nr.	<input type="text"/>	
max. Betriebsdruck [bar]	<input type="text"/>	
max. Ölstrom [kg]	<input type="text"/>	
Eigengewicht [kg]	<input type="text"/>	
○ Tragfähigkeit des Flurförderfahrzeugs beachten!		

For your documents please insert here the dates from the type plate:

Serien - Nr. _____

Baujahr / Auftrags-Nr. _____

It is not allowed to change the type plate

Spare-Parts:

E-Mail: service@tuchel.com